

Eclipse Junior Series - NEMA 12, 13, 4

Single Door Enclosures

Industrial Enclosures

Junction Boxes



**Inner
Panel
Included**



Application

- Designed to enclose electrical and/or electronic equipment and protect against harsh, industrial environments.
- For use as instrument enclosures, electric, hydraulic or pneumatic control housings, electrical junction boxes or terminal wiring enclosures.
- Impressive styling features make the Eclipse Junior a suitable addition to any high-tech equipment installation.
- For high temperature applications, a gasket retainer may be required, please refer to factory.

Standards

- UL 508 Type 3R, 4, 12 and 13
- CSA Type 3R, 4, 12 and 13
- **Complies with**
 - NEMA Type 3R, 4, 12 and 13
 - IEC 60529, IP66

Construction

- Body and cover are formed from 16 gauge steel.
- Smooth, continuously welded seams without knockouts, cutouts, or holes.
- Formed lip on enclosure to exclude flowing liquids and contaminants.
- 14 gauge welded brackets provide for enclosure mounting.
- Continuously hinged cover has 304 stainless steel hinges and provides 180° opening.
- Door latches feature the added safety of quarter turn slot requiring use of tool for opening.
- Quarter turn latches formed from black zinc diecast.
- Oil resistant gaskets are permanently secured.
- Models larger than 4"x4" include a removable 14 gauge galvanized inner panel.
- Internal threaded weld studs are provided for mounting inner panels.
- A bonding stud is provided on the door and a grounding stud is provided on the enclosure.
- Includes grounding kit and a hardware kit with panel mounting screws.

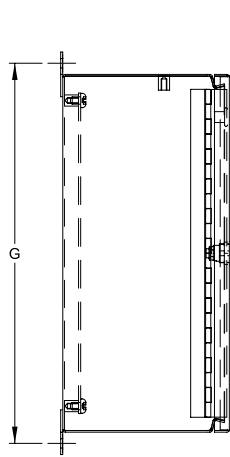
Finish

- Cover and enclosure are finished in recoatable smooth ANSI 61 gray powder coating.
- Inner panels are unpainted galvanized steel.

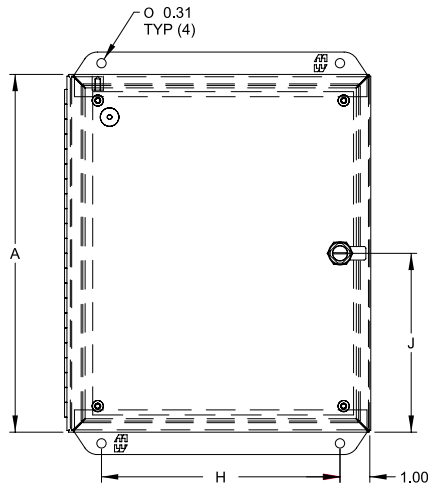
Accessories

- Additional inner panels...see page 433
- Breather kits...see page 423
- Filter fans...see page 408-413
- Louvered ventilating plates
...see page 450
- Padlocking Adapter...see page 432
- Terminal kit assemblies
...see page 436
- Thermostats...see page 421
- Wing knob lock...see page 432
- Swing panel...see page 435

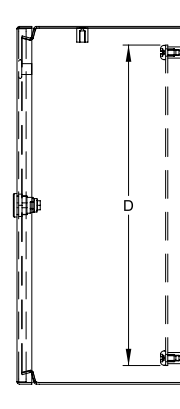
Eclipse Junior Series - NEMA 12, 13, 4 Single Door Enclosures



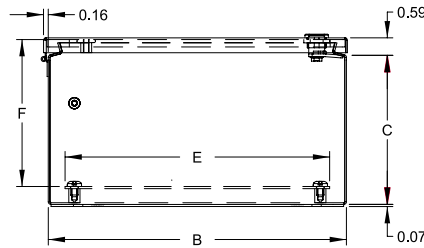
Hinge Side View



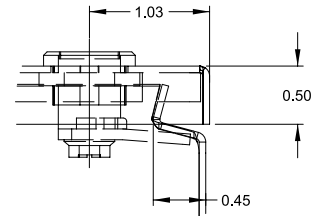
Front View



Latch Side View



End View



Quarter Turn Latch

Part No.	Overall Dimensions				Panel Size					Ship Wt. lbs.
	A	B	C	H	G	D	E	J	F	
EJ443	4.00	4.00	3.00	2.00	4.75	—	—	2.00	—	2
EJ643	6.00	4.00	3.00	2.00	6.75	4.88	2.88	3.00	2.92	2
EJ683	6.00	8.00	3.50	6.00	6.75	4.88	6.75	3.00	3.42	5
EJ863	8.00	6.00	3.50	4.00	8.75	6.75	4.88	4.00	3.42	5
EJ444	4.00	4.00	4.00	2.00	4.75	—	—	2.00	—	3
EJ644	6.00	4.00	4.00	2.00	6.75	4.88	2.88	3.00	3.92	3
EJ664	6.00	6.00	4.00	4.00	6.75	4.88	4.88	3.00	3.92	4
EJ884	8.00	8.00	4.00	6.00	8.75	6.75	6.88	4.00	3.92	7
EJ8104	8.00	10.00	4.00	8.00	8.75	6.88	8.75	4.00	3.92	8
EJ1084	10.00	8.00	4.00	6.00	10.75	8.75	6.88	5.00	3.92	8
EJ1264	12.00	6.00	4.00	4.00	12.75	10.75	4.88	6.00	3.92	8
EJ10125	10.00	12.00	5.00	10.00	10.75	8.88	10.75	5.00	4.92	10
EJ12105	12.00	10.00	5.00	8.00	12.75	10.75	8.88	6.00	4.92	12
EJ866	8.00	6.00	6.00	4.00	8.75	6.75	4.88	4.00	5.92	7
EJ1086	10.00	8.00	6.00	6.00	10.75	8.75	6.88	5.00	5.92	10
EJ10106	10.00	10.00	6.00	8.00	10.75	8.75	8.88	5.00	5.92	12
EJ12126	12.00	12.00	6.00	10.00	12.75	10.75	10.88	6.00	5.92	15
EJ12146	12.00	14.00	6.00	12.00	12.75	10.88	12.75	6.00	5.92	17
EJ1486	14.00	8.00	6.00	6.00	14.75	12.75	6.88	7.00	5.92	10
EJ14126	14.00	12.00	6.00	10.00	14.75	12.75	10.88	7.00	5.92	17
EJ14166	14.00	16.00	6.00	14.00	14.75	12.88	14.75	7.00	5.92	21
EJ16106	16.00	10.00	6.00	8.00	16.75	14.75	8.88	8.00	5.92	15
EJ16146	16.00	14.00	6.00	12.00	16.75	14.75	12.88	8.00	5.92	21
EJ12108	12.00	10.00	8.00	8.00	12.75	10.75	8.88	6.00	7.92	15
EJ14128	14.00	12.00	8.00	10.00	14.75	12.75	10.88	7.00	7.92	18
EJ16148	16.00	14.00	8.00	12.00	16.75	14.75	12.88	8.00	7.92	22
EJ161410	16.00	14.00	10.00	12.00	16.75	14.75	12.88	8.00	9.92	23

Technical references and DXF downloads available at www.hamfmfg.com

All dimensions in inches unless specified otherwise

Quality Enclosures. Service Excellence.